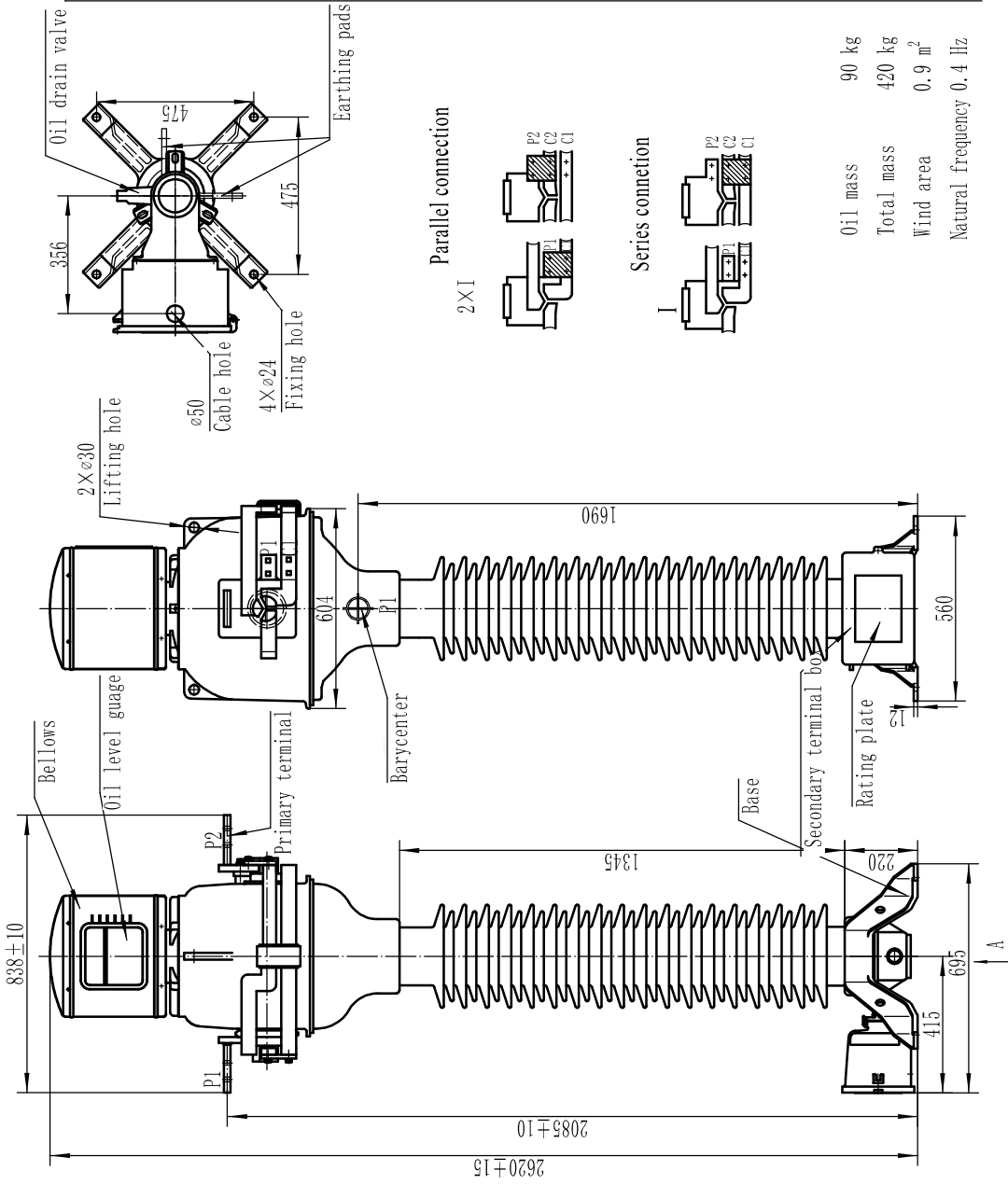


A

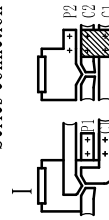


Parallel connection

2 X 1

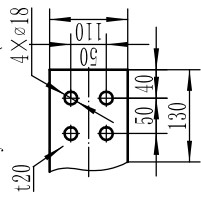


Series connection

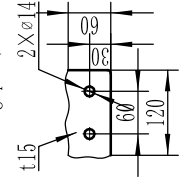


Oil mass 90 kg
 Total mass 420 kg
 Wind area 0.9 m²
 Natural frequency 0.4 Hz

Primary terminal (Aluminum)



Earthing pad (Aluminum)



ERKAN ELEKTROMEKANİK
 MALZEMELER ELEKTRİK MUHENDİSLİK
 TAHLİTHİRSAN, ve TİC. AŞ.
 (POLIPAR BRAND OWNER)

| Name | signature | Date |
|--------------------------|-----------|------------|
| Designer AYKUT ARSLAN | | 31.01.2025 |
| Examiner ALPAGUL DAGELEN | | 31.01.2025 |
| Callator | | |
| Assessor | | |
| Technology | | |

Markis item checked doc no. signature changed okite

LVB1 - 138W3

A4

scale: 2/5

serial no: 2018 - 2121001

assembly drawing no