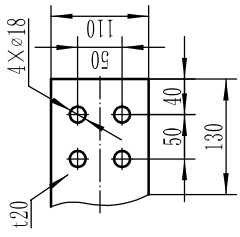
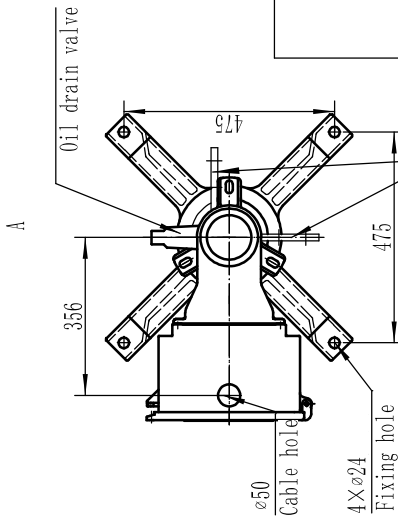
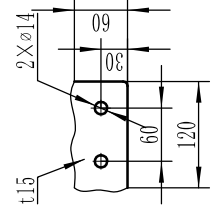


Primary terminal (Aluminum)



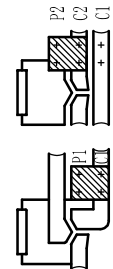
Earthing pad (Aluminum)



Earthing pads

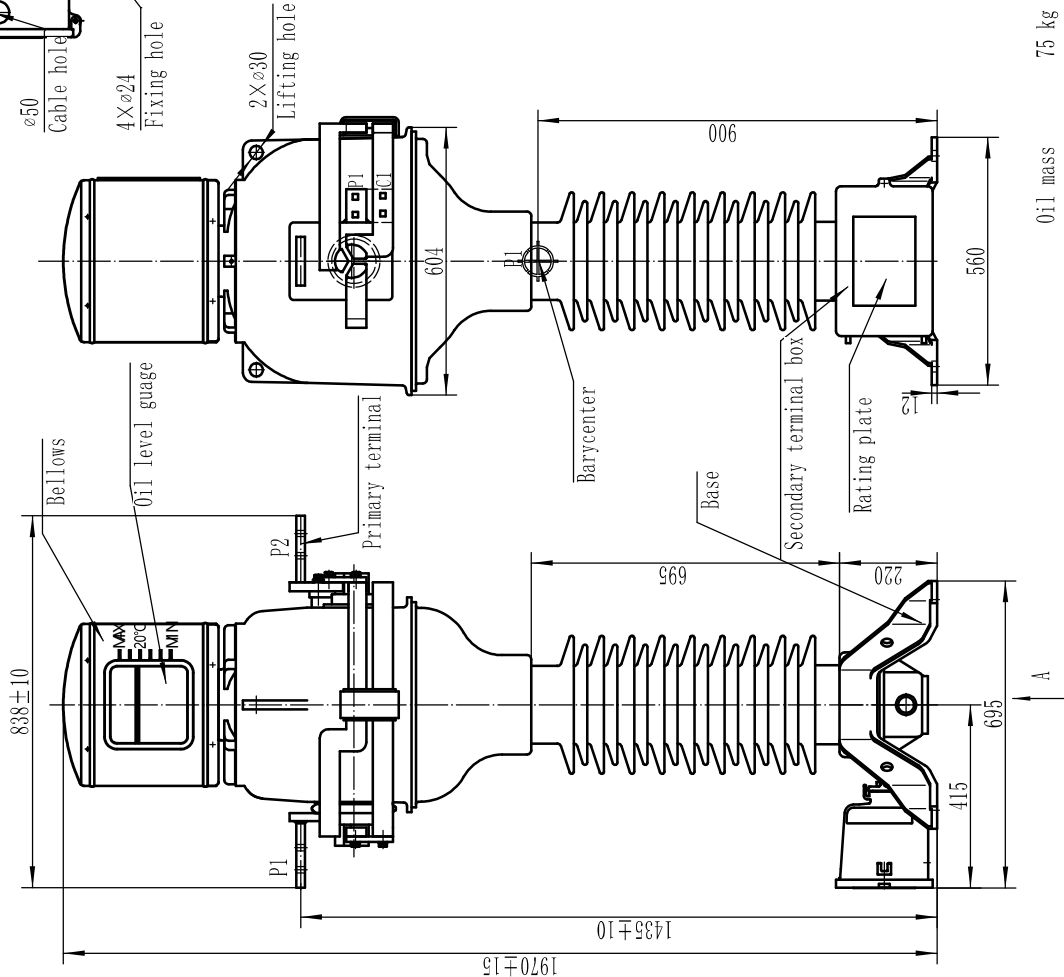
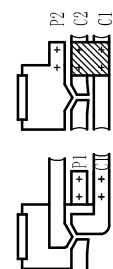
Parallel connection

2xI



Series connection

I



Oil mass 75 kg  
 Total mass 320 kg  
 Wind area 0.7 m<sup>2</sup>  
 Natural frequency 0.5 Hz



ERKAN ELEKTROMEKANİK  
 MALZEMELER ELEKTRİK MUHENDİSLİK  
 TAHAİTHİRSAN. ve TİC. AŞ.  
 (POLIPAR BRAND OWNER)

LVB1 - 69W3

A4

scale: 2/5

Serial no 2018 -12121001

assembly drawing no

Name	Signature	Date
Designer: Aykut ARSLAN		31.01.2025
Examiner: ALPASLAN İAGBİLEN		31.01.2025
Collector:		
Assessor:		
Technology:		

Markis item checked doc no signature changed date